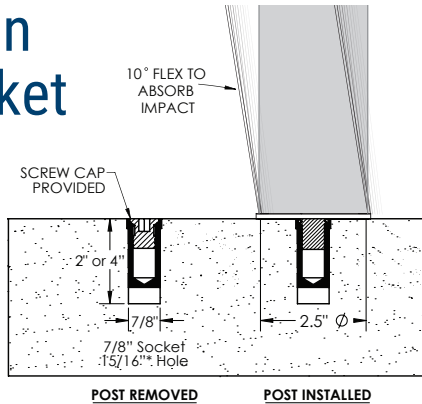
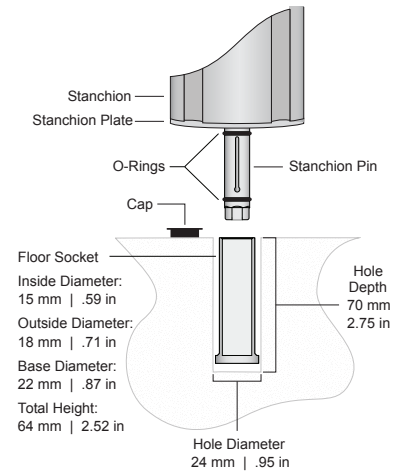


Visiontron Mini Socket



Lavi Slim Socket



VS.

WHAT'S DIFFERENT?

Visiontron has a threaded socket:

- Post secures into threaded socket to provide a sense of permanence yet still allows it to easily move.
- Some venues have concern of posts being used as weapons.
- Threaded post connections gives a solid engagement with socket once installed and while flexing post spring.

Visiontron has a spring loaded post:

Spring loaded post absorbs impact and greatly reduces stress on the small socket. Without this feature, the post becomes a large lever that can permanently bend the socket or post stud and damage flooring.

Visiontron is patented and patent pending:

- Working to further strengthen our protection which has already been granted.

Visiontron socket has a ledge at the top and grooves in the middle:

- Center grooves grip epoxy
- Top ledge covers the installation hole and offers a clean flush install with floor.

Lavi uses o-rings to take up slop in socket/post fit:

O-rings easily wear over time with repeated use. When o-rings loosen the post will begin to wobble in socket and feel sloppy.

Lavi's may not be spring loaded:

Unsure if Lavi is spring loaded – Bryan believes it uses their existing rubber or metal connection.

No patent.

Lavi has a ledge at the bottom of the socket:

Ledge at bottom causes hole to be oversized and results in exposed epoxy ring at the top of socket after installation.

WHAT'S SIMILAR ...BUT SLIGHTLY DIFFERENT

Small socket:

- Both are 7/8" diameter
- Visiontron lengths: 2", 4", custom 6", 12" for a variety of floor conditions; Lavi only offers 2.5" length (that we know of).

Installs with epoxy:

Ledge at bottom causes hole to be oversized and results in exposed epoxy ring at the top of socket after installation.

Ability to rotate the post for belt alignment:

Due to Visiontron's threaded socket engagement, Visiontron can rotate 350 degrees. Lavi will continuously rotate.

- 1) We feel the threaded connection is far superior to the o-ring connection for reasons above.
- 2) In reality the posts can be "muscled" a little more to get 360 degree movement. We have never had an issue with the belts not aligning.

Include plug for when not in use:

- Visiontron is metal threaded plug which removes with allen key and will not accidentally pop out.
- Lavi's seems to be a plastic or rubber plug with no threading, potential for it to wear out or pop out of hole and get lost.