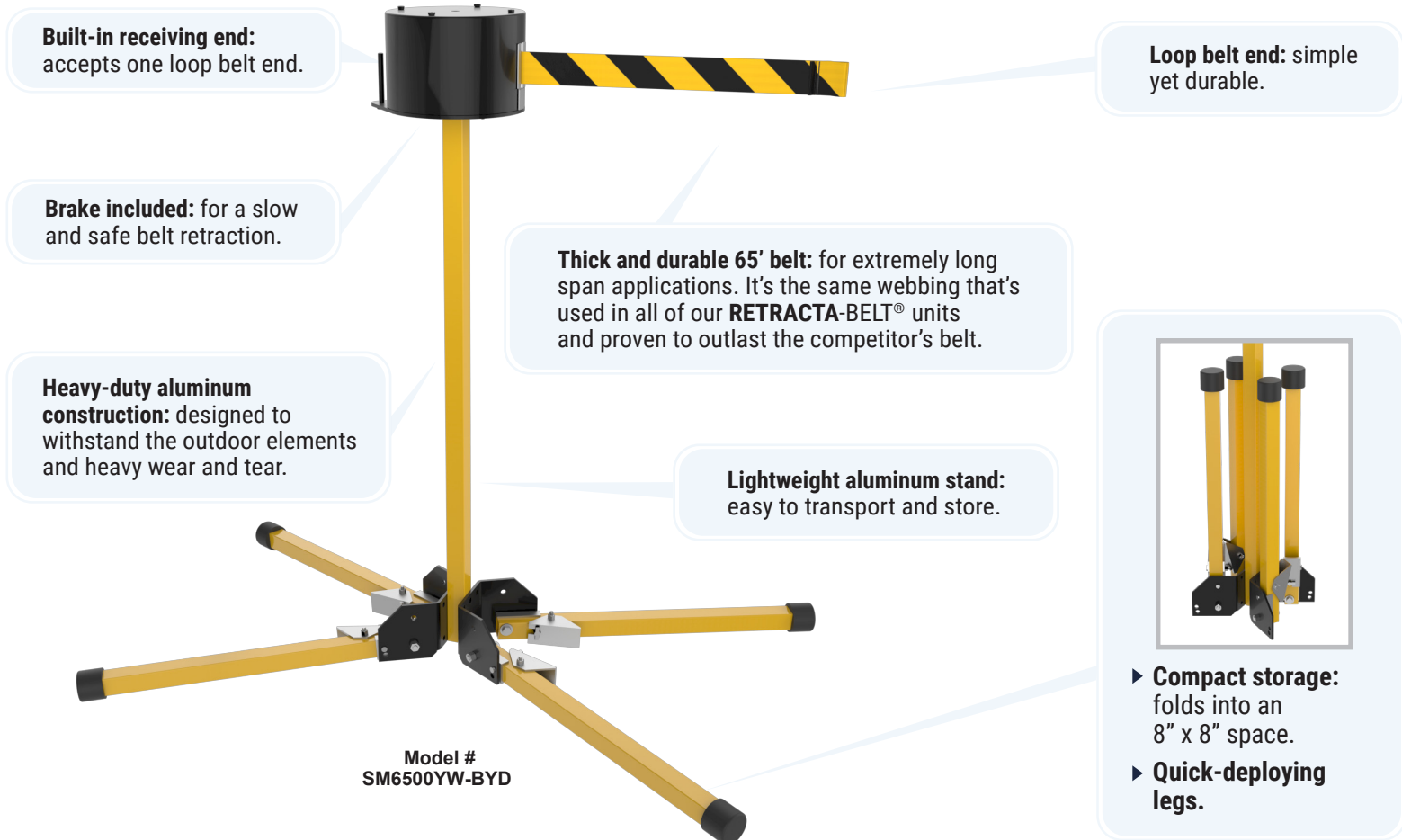


Fast setup. Compact storage. Longest span protection.

Specifically designed to assist tarmac boarding and deplaning.



Built-in receiving end: accepts one loop belt end.

Loop belt end: simple yet durable.

Brake included: for a slow and safe belt retraction.

Thick and durable 65' belt: for extremely long span applications. It's the same webbing that's used in all of our RETRACTA-BELT® units and proven to outlast the competitor's belt.

Heavy-duty aluminum construction: designed to withstand the outdoor elements and heavy wear and tear.

Lightweight aluminum stand: easy to transport and store.

Compact storage: folds into an 8" x 8" space.

Quick-deploying legs.

Model #
SM6500YW-BYD



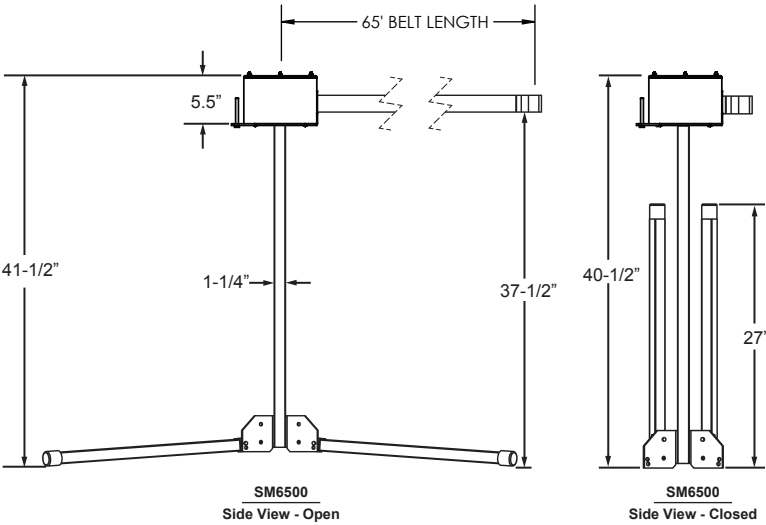
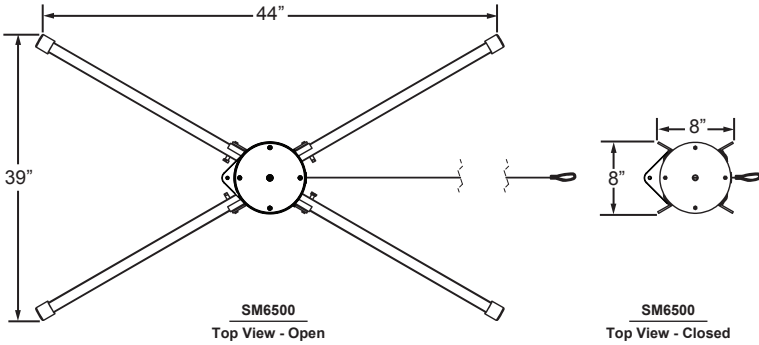
Additional Features

- ▶ 10 year warranty
- ▶ Unlike competitor's products, replacement components are available for on-site repair which eliminates the costly expense of shipping it back to the manufacturer.

Typical Applications

- ▶ Guiding passengers on the tarmac
- ▶ Bus & cruise ship loading
- ▶ Construction sites
- ▶ Closing parking lots
- ▶ Warehouse maintenance and other long span requirements

| Specs | |
|-------------------------|----------------------------------|
| Head Material | Aluminum and Stainless Steel |
| Head Diameter | 8" |
| Stand Material | Aluminum & Steel (Powder Coated) |
| Base Dimensions (Open) | 39" x 44" |
| Base Dimension (Closed) | 8" x 8" |
| Overall Stand Height | 41.5" (includes head) |
| Overall Weight | 29 lbs. |



Belt End Options

- Loop (standard)**
Simple yet durable. Requires **Model # RE6500** receiving end (sold separately).
- S-Hook**
Universal S-Hook belt end works without a receiving end. It can wrap around or hook into any suitable object.
- Universal**
Polycarbonate belt end with lock. Requires **Model # RE** receiving end (sold separately).



Stock Finishes

Stand: Yellow Aluminum **YW** Black

Head: Black

Ready for outdoor use

Standard Belt Options

| | |
|------------------|------------------------------|
| Black BK | Green GN |
| Grey GR | Dark Green DG |
| White WH | Light Blue LB |
| Brown BN | Blue BL |
| Maroon MN | Dark Blue DB |
| Red RD | Purple PL |
| Orange OR | Fluorescent Yellow FY |
| Yellow YW | Fluorescent Orange FO |
| | Black/White Stripe BW |

Specialty Belt Options (Double Sided)

| | |
|--|------------------------------------|
| | Black/Yellow Diagonal BYD |
| | Red/White Diagonal RWD |
| | Magenta/Yellow Diagonal MYD |
| | This Lane Closed TLC |
| | Caution-Do Not Enter CAU |
| | Danger-Keep Out DKO |
| | No Entry NE |
| | Authorized Access Only AAO |

Custom Dye-Sub Belt Samples*

Dye-Sub is not intended for prolonged exposure to UV.

*Due to printing limitations, colors shown may not represent actual product colors. Please call for samples if required.

To Order Specify:

SM6500 **YW** **BYD**

MODEL # FINISH BELT COLOR