

### Featured Product: SM412-30



Model #  
SM412-30YW-CAU

### A rugged and portable solution for long span applications.

The Stand Mount 412 (SM412-30) is the only product on the market with a 30' belt span that can be easily carried from location to location. The heavy-gauge aluminum stand is built tough to withstand the harshest abuse, yet at only 15 lbs. it's still light enough for easy lifting. The folding legs allow for compact storage into an 8" x 9" space, and spread to provide maximum stability on rocky or uneven terrain.

### Typical Applications Include:

- ▶ Construction sites
- ▶ Airplane/bus/cruise ship loading
- ▶ Closing parking lots
- ▶ Warehouse maintenance and other long span requirements

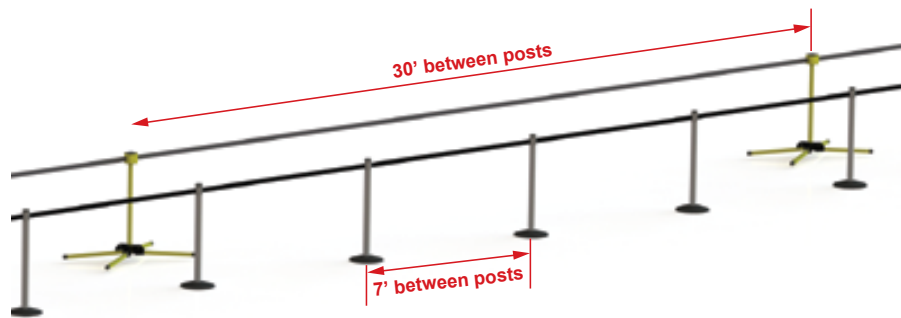
#### Extremely Portable

- ▶ **Lightweight aluminum frame:** only weighs 15 lbs. making it easy to carry.
- ▶ **Compact folding legs:** create a small storage footprint which is convenient for transporting in a car or truck.



#### Long Span RETRACTA-BELT®

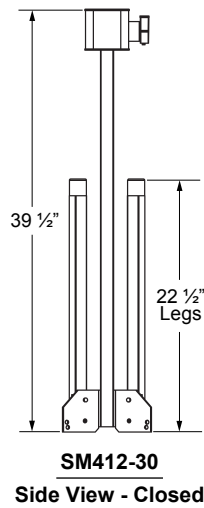
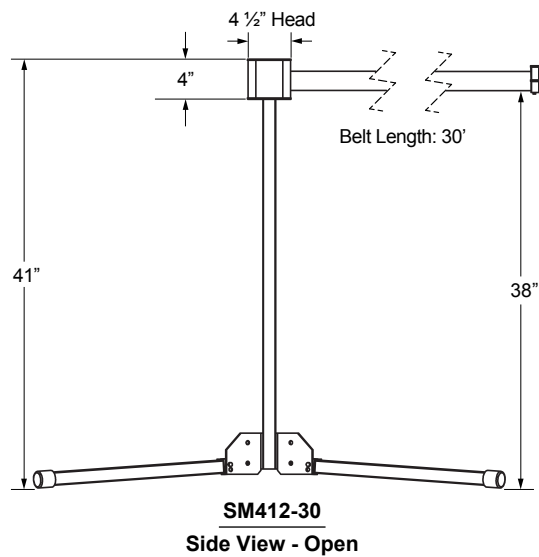
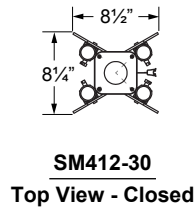
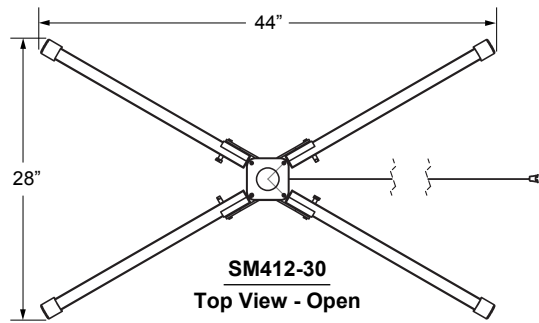
- ▶ **Belt extends to 30 feet:** to easily cordon off large areas quickly.



#### Features

- ▶ **Outdoor-rated, heavy-duty product.**
- ▶ **High-impact polycarbonate head:** greatly increases durability.
- ▶ **Patent pending braking system:** creates the **safest** product on the market.
- ▶ **Easy to transport and store:** folds in an 8" x 9" area when not in use.
- ▶ **Heavy-gauge aluminum stand:** very sturdy yet light enough for mobility.
- ▶ **Adjustable legs:** can be used on uneven surfaces.

Specs	
Stand Material	Aluminum & Steel (Powder Coated)
Base Dimension (Open)	28" x 44"
Base Dimension (Closed)	8-1/4" x 8-1/2"
Post Diameter	1-1/4" Square Tube w/ 4-1/2" Head
Overall Stand Height	41" (Includes Head)
Overall Weight	15 lbs.



Overall Weight: 15 lbs.

Model #	Head	Stand
SM412-30YW	Yellow	Yellow Aluminum

To Order Specify:  
**SM412-30** **YW** — **CAU**  
MODEL # FINISH BELT COLOR

## Stock Finishes



☂ Weather Resistant

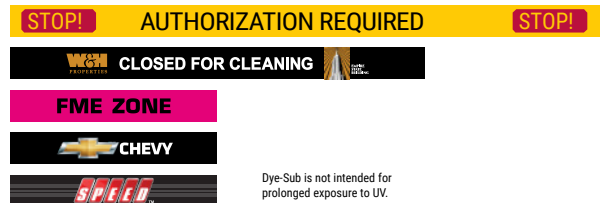
## Standard Belt Options

Black BK	Green GN
Grey GR	Dark Green DG
White WH	Light Blue LB
Brown BN	Blue BL
Maroon MN	Dark Blue DB
Red RD	Purple PL
Orange OR	Fluorescent Yellow FY
Yellow YW	Fluorescent Orange FO
	Black/White Stripe BW

## Specialty Belt Options (Double Sided)

	Black/Yellow Diagonal BYD
	Red/White Diagonal RWD
	Magenta/Yellow Diagonal MYD
	THIS LANE CLOSED TLC
	CAUTION-DO NOT ENTER CAU
	DANGER-KEEP OUT DKO
	NO ENTRY NE
	AUTHORIZED ACCESS ONLY AAO

## Custom Dye-Sub Belt Samples



Due to printing limitations, colors shown may not represent actual product colors. Please call for samples if required.